

TOR REY



HIGH SPEED STAINLESS STEEL MEAT BAND SAW

***High
Speed!***

**Professional Meat
Band Saw, low waste
and high production
in fine cuts.**

- * Stainless steel construction
- * Hose down washable.
- * User's security system controlled electronically.
- * Stainless steel "slide moving table system".
- * Easy to disassemble (without tools).



**ST-305-SH
MODEL**

Safe operation



AVOID ACCIDENTS

Interlock safety switches on doors that stop the motor automatically if any of the doors are opened, reducing risk of accidents.



THERMOMAGNETIC SWITCHES

Protects the motor against overloads and is easily activated.



MOTOR BRAKE (OPTIONAL)

This device stops the band very fast (only 3 sec) turning the switch off.



THUMB PROTECTOR

The sliding table features a thumb protector for safety operation.



HOSE DOWN WASHABLE

Saving time during cleaning operations.



EASY TO DISASSEMBLE

Main components are easily disassembled (Without tools) for cleaning and sanitizing, and saw blade can be replaced without the need to disassemble any of the components.



REMOVABLE WHEEL AND BLADE CLEANERS SYSTEM

To keep wheel and blade, grease and waste-free



MASTER SWITCH

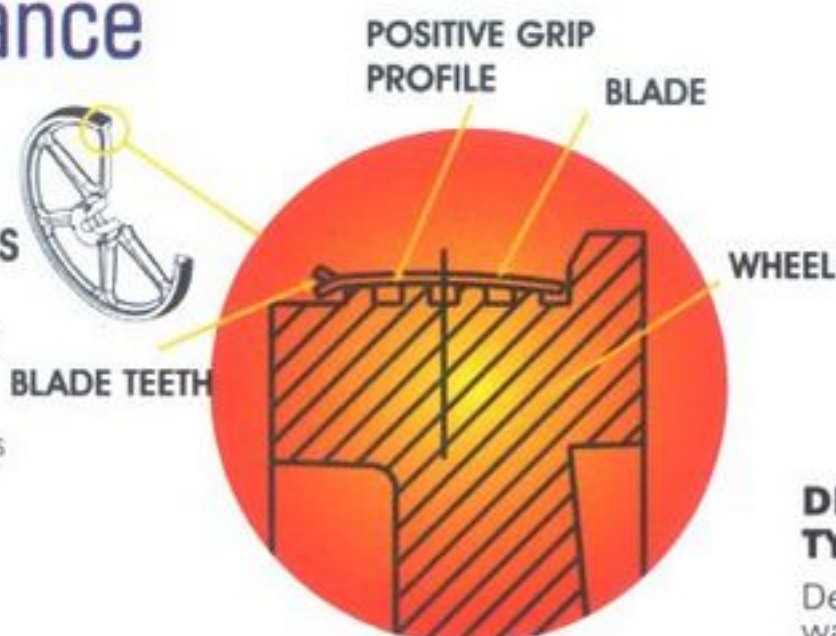
Stops energy completely for maintenance or use.

Easy to clean

Save in time and maintenance

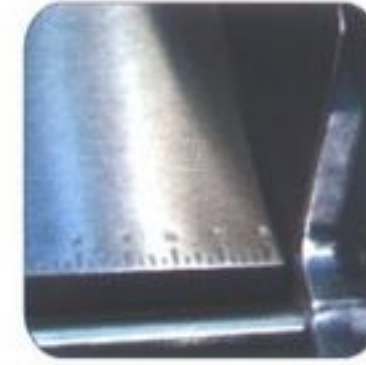
PRECISION BALANCED CAST IRON SAW WHEELS

The balanced wheels provide a vibration free operation, and a positive grip profile on the border of the wheels assures a steady blade drive for a perfect cut, while protecting the blade teeth.



TENSIONING SYSTEM EASILY ADJUSTABLE

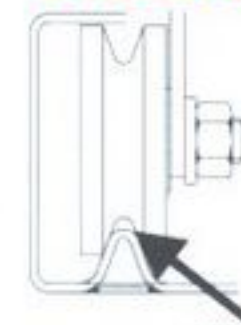
Assures a proper blade tension for a clean cut and a long lasting blade life. It has a red mark in the upper wheel to indicate right blade tension.



CONSISTENCY IN CUTS

Scaled thickness gauge that slides easily to adjust for thick or thin cuts, helping to get more consistency in cuts.

"EASY SLIDE" MOVING TABLE SYSTEM



STAINLESS STEEL ROLLERS

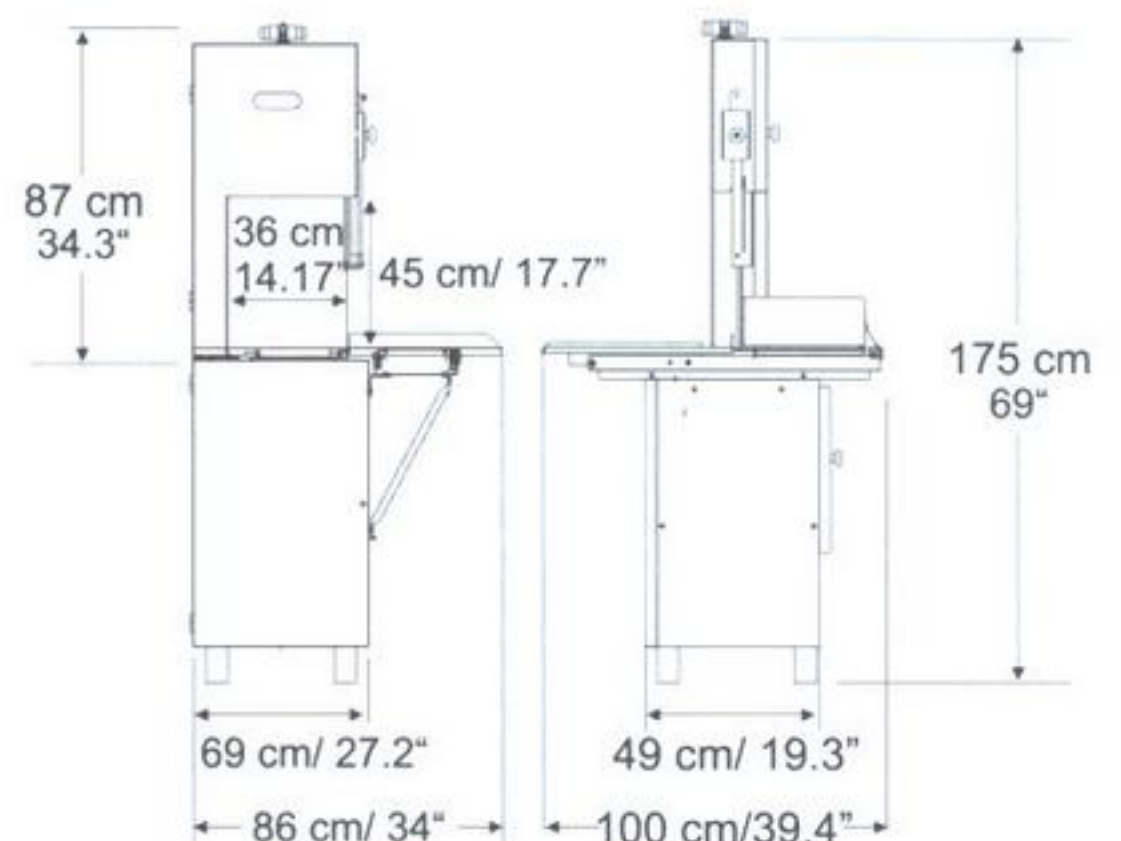
The TORREY easy slide system allows a precise moving table ride, reducing effort and increasing productivity.

DEEP TRAY (DRAWER TYPE)

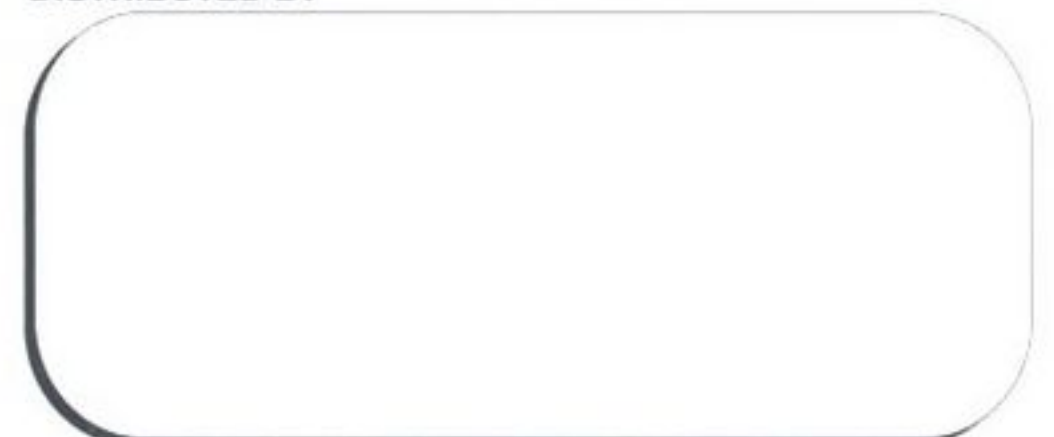
Deep tray to accumulate waste and work continuously.



DIMENSIONS



DISTRIBUTED BY



ALL INFORMATION IS SUBJECT TO CHANGE WITHOUT NOTICE

Specifications:

| | |
|-------------------------|-----------------|
| | ST-305-SH |
| Saw blade | 305 cm/120" |
| Blade speed | 32 m/seg |
| Throat width | 36 cm/14.17" |
| Throat height | 45 cm/17.71" |
| Thermomagnetic switches | Yes |
| Waste tray | Yes |
| Movable blade guard | Yes |
| Sealed off bearings | Yes |
| *Motor | 3 HP / 2.23 Kw |
| Net weight | 214 kg / 471 lb |
| Shipping weight | 235 kg / 518 lb |

*Motor available 3PH, 220 V/ 50 Hz and 380 V/50 Hz (optional)



Safety & Sanitation
Conforms
UL std 763



Sanitation
Conforms
NSF-8



CANADA
Conforms
CAN/CSA STD
C22.2